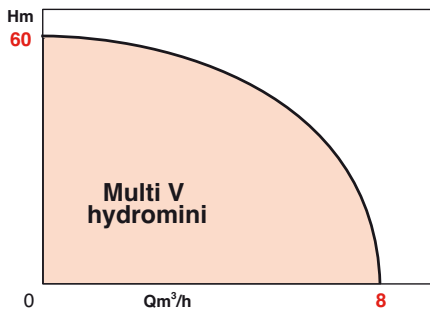


OPERATING RANGES

Flow rates of up to:	8 m ³ /h
Manometric heads of up to:	60 m
Max. operating pressure :	10 bar
Max. temperature :	+50°C
Max. suction head: :	5 m
DN suction:	G1 - G1 ^{1/4}
DN delivery:	G1



ADVANTAGES

- Fully assembled, wired and preset booster pumps - ready to use.
- Easy installation: one electrical connection and two hydraulic connections.
- Stainless steel pump: protection from corrosion and extended pump life.
- Interchangeable butyl, food-grade bladder tank.
- Integrated thermal protection of motor on all models.
- User-friendly operation and maintenance at low cost

MULTI V HYDROMINI

BOOSTER PUMPS

Domestic and small-scale collective uses
2 poles - 50 Hz

APPLICATIONS

Pressure maintenance for water distribution systems with insufficient or non-existent pressure in the domestic and small-scale collective sectors:

- Water supply and distribution from wells, springs or storage tanks.
- Irrigation - watering.

- Raising the pressure of a weak mains water system (if the total pressure does not exceed 10 bar).

For detached houses, rural homes, small farms, small-scale industries, etc.



Certified
ACS

• Multi V hydromini

MULTI V HYDROMINI

DESIGN

Automatic booster pumps, pre-assembled and ready for fitting, equipped with:

- MULTI-H single-phase or three-phase pump (203; 204; 205; 404; 405)
- Tank with an interchangeable bladder (50, 100 and 200 l)
- Filler and bleeder plug
- Drain and priming plug
- Pressure gauge and pressure switch.
- Pump/tank connection hose
- Inflation valve.

HYDROMINI SINGLE-PHASE

- Thermal protection integrated into the winding, automatic resetting after cooling.
- We recommend a magnetic protection system (not supplied).

HYDROMINI THREE-PHASE

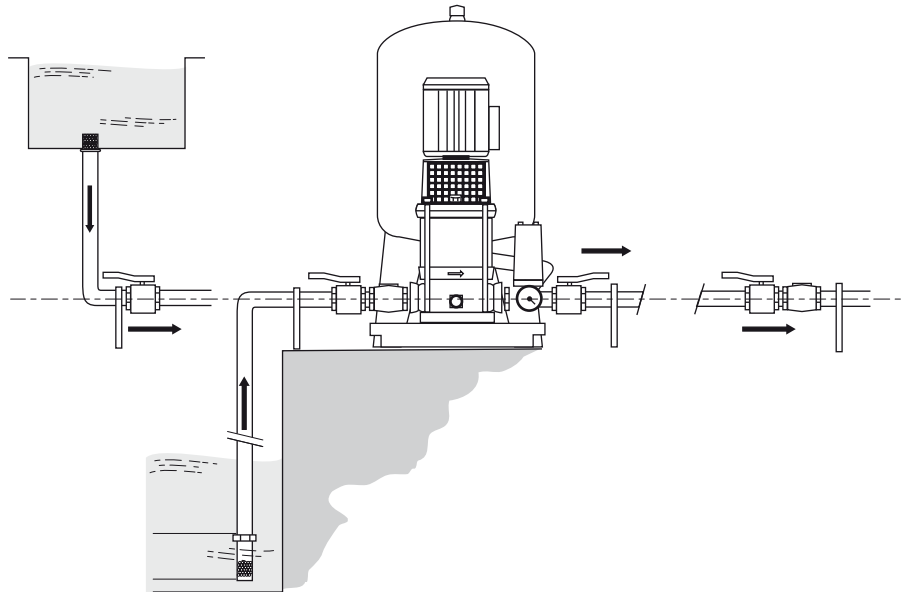
- Thermal magnetic protection in the protection cabinet, with manual reset.

The setting of on-off pressures on the contact or pressure switch is carried out in the factory.

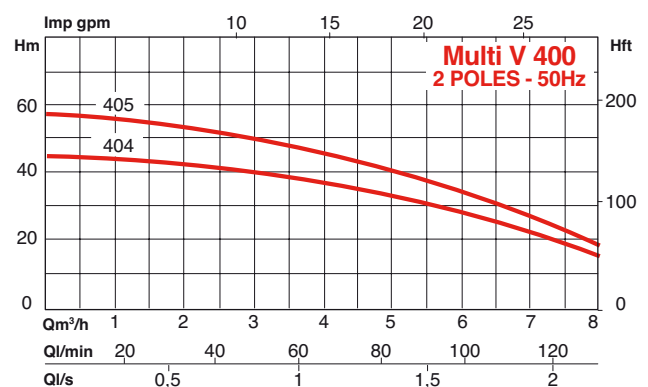
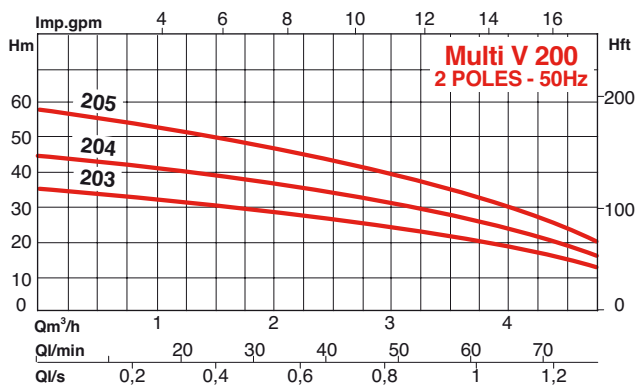
Standards:

- EN 60204-1
- EN ISO 12100-2
- EN 61 000-3-2
- EN 61 000-3-3
- EN 55 014-1 et 2

INSTALLATION DIAGRAM

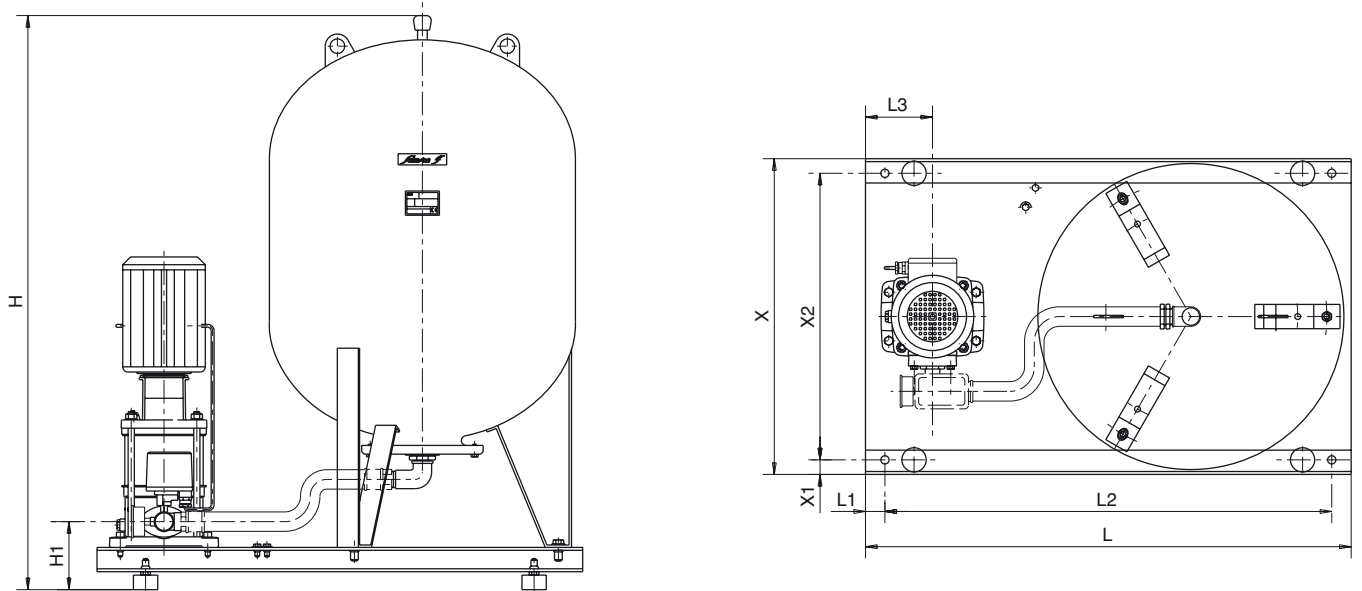


HYDRAULIC PERFORMANCE



MULTI V HYDROMINI

DIMENSIONAL SPECIFICATIONS



References	Pumps	Tank capacity	L	L1	L2	L3	H	H1	X	X1	X2	Weight
			mm	mm	mm	mm	mm	mm	mm	mm	mm	
Hydromini with 50-litre tank												
MULTI-V-203-M-V50	MULTI-V-203	50 L	1000	40	920	138	810	140	650	30	590	73,4
MULTI-V-203-T-V50	MULTI-V-203	50 L	1000	40	920	138	810	140	650	30	590	74,2
MULTI-V-204-M-V50	MULTI-V-204	50 L	1000	40	920	138	810	140	650	30	590	76,4
MULTI-V-204-T-V50	MULTI-V-204	50 L	1000	40	920	138	810	140	650	30	590	77,5
MULTI-V-205-M-V50	MULTI-V-205	50 L	1000	40	920	138	810	140	650	30	590	77,0
MULTI-V-205-T-V50	MULTI-V-205	50 L	1000	40	920	138	810	140	650	30	590	78,0
MULTI-V-404-M-V50	MULTI-V-404	50 L	1000	40	920	138	810	140	650	30	590	78,5
MULTI-V-404-T-V50	MULTI-V-404	50 L	1000	40	920	138	810	140	650	30	590	78,3
MULTI-V-405-M-V50	MULTI-V-405	50 L	1000	40	920	138	810	140	650	30	590	79,1
MULTI-V-405-T-V50	MULTI-V-405	50 L	1000	40	920	138	810	140	650	30	590	78,9
Hydromini with 100-litre tank												
MULTI-V-203-M-V100	MULTI-V-203	100 L	1000	40	920	138	970	140	650	30	590	79,3
MULTI-V-203-T-V100	MULTI-V-203	100 L	1000	40	920	138	970	140	650	30	590	80,1
MULTI-V-204-M-V100	MULTI-V-204	100 L	1000	40	920	138	970	140	650	30	590	82,3
MULTI-V-204-T-V100	MULTI-V-204	100 L	1000	40	920	138	970	140	650	30	590	83,4
MULTI-V-205-M-V100	MULTI-V-205	100 L	1000	40	920	138	970	140	650	30	590	82,9
MULTI-V-205-T-V100	MULTI-V-205	100 L	1000	40	920	138	970	140	650	30	590	83,9
MULTI-V-404-M-V100	MULTI-V-404	100 L	1000	40	920	138	970	140	650	30	590	84,4
MULTI-V-404-T-V100	MULTI-V-404	100 L	1000	40	920	138	970	140	650	30	590	84,2
MULTI-V-405-M-V100	MULTI-V-405	100 L	1000	40	920	138	970	140	650	30	590	85,0
MULTI-V-405-T-V100	MULTI-V-405	100 L	1000	40	920	138	970	140	650	30	590	84,8
Hydromini with 200-litre tank												
MULTI-V-203-M-V200	MULTI-V-203	200 L	1000	40	920	138	1160	140	650	30	590	102,1
MULTI-V-203-T-V200	MULTI-V-203	200 L	1000	40	920	138	1160	140	650	30	590	102,9
MULTI-V-204-M-V200	MULTI-V-204	200 L	1000	40	920	138	1160	140	650	30	590	105,1
MULTI-V-204-T-V200	MULTI-V-204	200 L	1000	40	920	138	1160	140	650	30	590	106,2
MULTI-V-205-M-V200	MULTI-V-205	200 L	1000	40	920	138	1160	140	650	30	590	105,7
MULTI-V-205-T-V200	MULTI-V-205	200 L	1000	40	920	138	1160	140	650	30	590	106,7
MULTI-V-404-M-V200	MULTI-V-404	200 L	1000	40	920	138	1160	140	650	30	590	107,2
MULTI-V-404-T-V200	MULTI-V-404	200 L	1000	40	920	138	1160	140	650	30	590	107,0
MULTI-V-405-M-V200	MULTI-V-405	200 L	1000	40	920	138	1160	140	650	30	590	107,8
MULTI-V-405-T-V200	MULTI-V-405	200 L	1000	40	920	138	1160	140	650	30	590	107,6

MULTI V HYDROMINI

ELECTRICAL AND DIMENSIONAL SPECIFICATIONS

References	Pompes	Tension	DN suction (DNS)	DN Discharge (DND)
Hydromini with 50-litre tank		50 Hz	1"	1"
MULTI-V-203-M-V50	MULTI-V-203	1~230 V	1"	1"
MULTI-V-203-T-V50	MULTI-V-203	3~230 / 400 V	1"	1"
MULTI-V-204-M-V50	MULTI-V-204	1~230 V	1"	1"
MULTI-V-204-T-V50	MULTI-V-204	3~230 / 400 V	1"	1"
MULTI-V-205-M-V50	MULTI-V-205	1~230 V	1"	1"
MULTI-V-205-T-V50	MULTI-V-205	3~230 / 400 V	1"	1"
MULTI-V-404-M-V50	MULTI-V-404	1~230 V	1"1/4	1"
MULTI-V-404-T-V50	MULTI-V-404	3~230 / 400 V	1"1/4	1"
MULTI-V-405-M-V50	MULTI-V-405	1~230 V	1"1/4	1"
MULTI-V-405-T-V50	MULTI-V-405	3~230 / 400 V	1"1/4	1"
Hydromini with 100-litre tank				
MULTI-V-203-M-V100	MULTI-V-203	1~230 V	1"	1"
MULTI-V-203-T-V100	MULTI-V-203	3~230 / 400 V	1"	1"
MULTI-V-204-M-V100	MULTI-V-204	1~230 V	1"	1"
MULTI-V-204-T-V100	MULTI-V-204	3~230 / 400 V	1"	1"
MULTI-V-205-M-V100	MULTI-V-205	1~230 V	1"	1"
MULTI-V-205-T-V100	MULTI-V-205	3~230 / 400 V	1"	1"
MULTI-V-404-M-V100	MULTI-V-404	1~230 V	1"1/4	1"
MULTI-V-404-T-V100	MULTI-V-404	3~230 / 400 V	1"1/4	1"
MULTI-V-405-M-V100	MULTI-V-405	1~230 V	1"1/4	1"
MULTI-V-405-T-V100	MULTI-V-405	3~230 / 400 V	1"1/4	1"
Hydromini with 200-litre tank				
MULTI-V-203-M-V200	MULTI-V-203	1~230 V	1"	1"
MULTI-V-203-T-V200	MULTI-V-203	3~230 / 400 V	1"	1"
MULTI-V-204-M-V200	MULTI-V-204	1~230 V	1"	1"
MULTI-V-204-T-V200	MULTI-V-204	3~230 / 400 V	1"	1"
MULTI-V-205-M-V200	MULTI-V-205	1~230 V	1"	1"
MULTI-V-205-T-V200	MULTI-V-205	3~230 / 400 V	1"	1"
MULTI-V-404-M-V200	MULTI-V-404	1~230 V	1"1/4	1"
MULTI-V-404-T-V200	MULTI-V-404	3~230 / 400 V	1"1/4	1"
MULTI-V-405-M-V200	MULTI-V-405	1~230 V	1"1/4	1"
MULTI-V-405-T-V200	MULTI-V-405	3~230 / 400 V	1"1/4	1"

TANKS

Capacity :	50 to 200 l
Pressure on:	1,5 to 2 bar
Pressure off	3 to 3,5 bar
DN suction :	G1 - G11/4
DN discharge:	G1

OPTIONS AND ACCESSOIRES

- Strainer foot valve (max. flow section 1 mm
- 1/4 T valve on suction.
- 1/4 T valve on delivery.
- Non-return valve
- Pipe hanger
- Low-water protection kit (connection to mains system).